



SUBARU

LEGACY

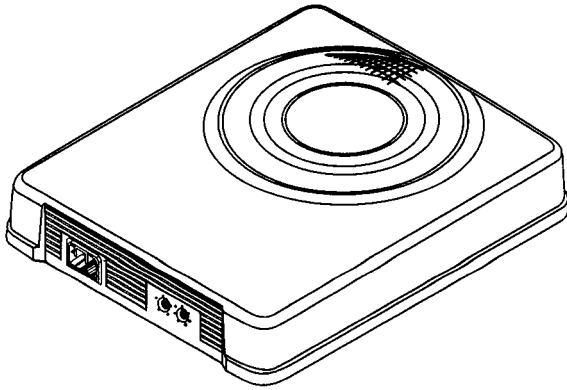
**INSTALLATION
INSTRUCTIONS**

PART NUMBER : H630SAG000

DESCRIPTION: SUB WOOFER

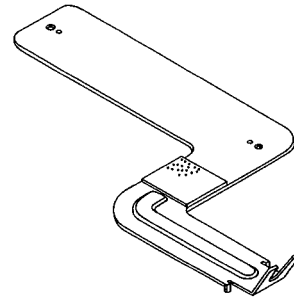
A

KIT CONTENTS:



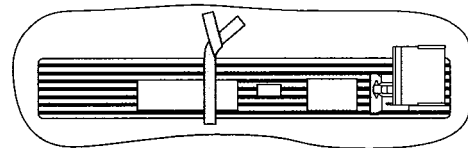
1X

B



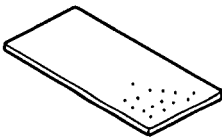
1X

C



1X

D



1X

E



2X

F



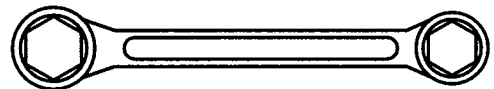
2X

TOOLS REQUIRED:

10mm & 14mm



14mm



Meaning of Characters:



: Remove



: Install



: Disconnect



: Connect



: Location of Clip or Screw

T

: Tightening Torque



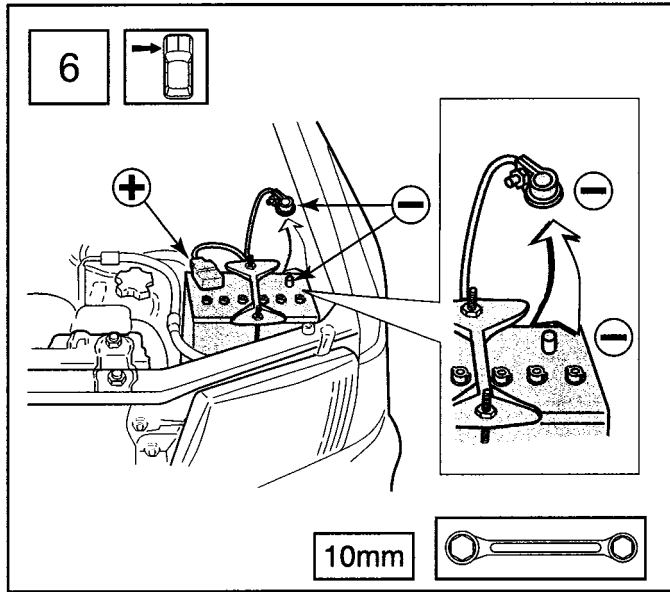
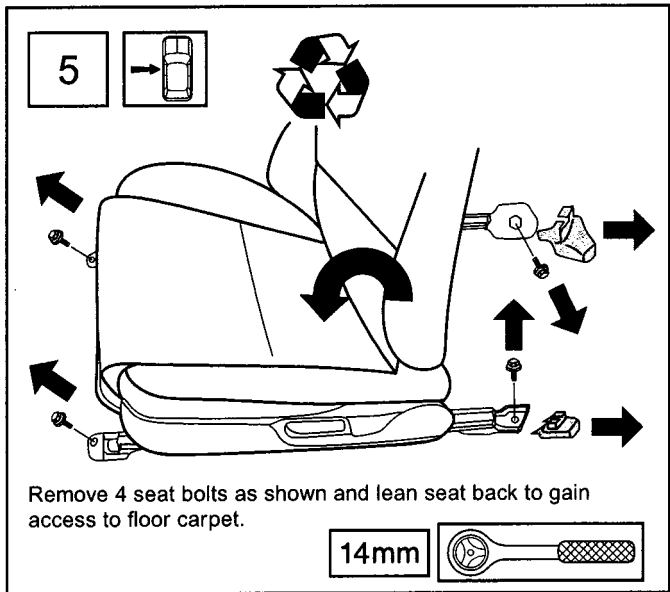
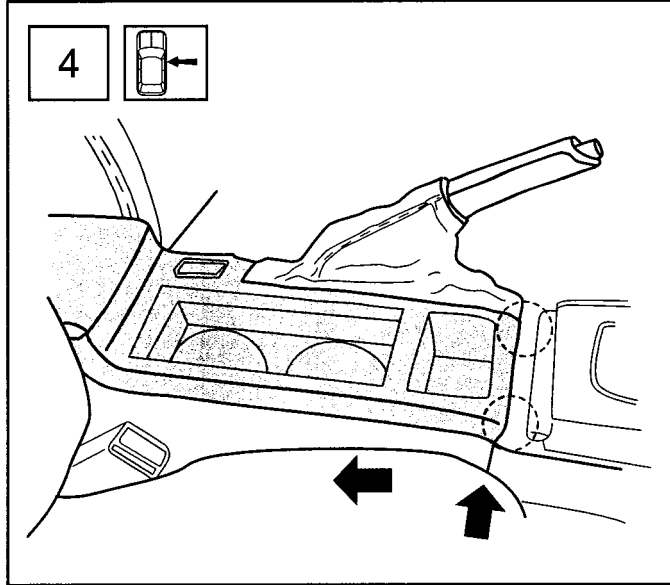
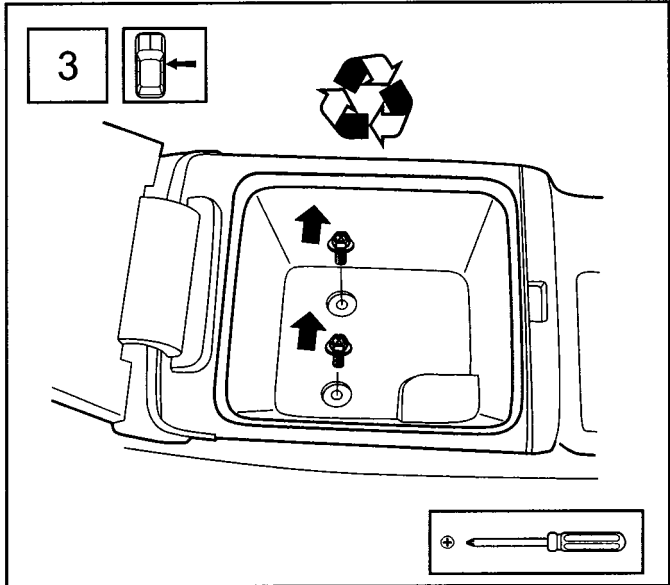
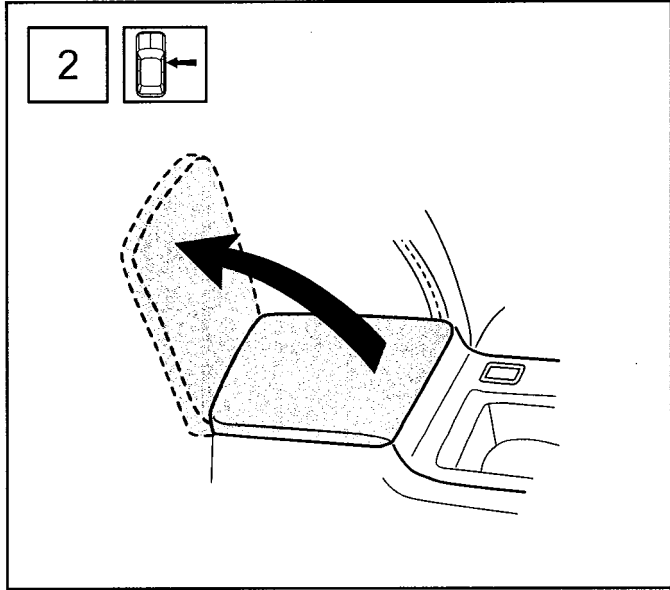
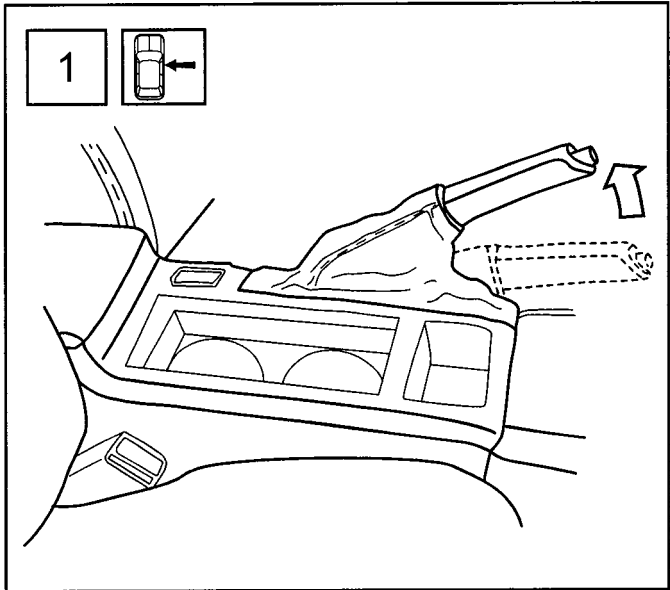
: Loosen

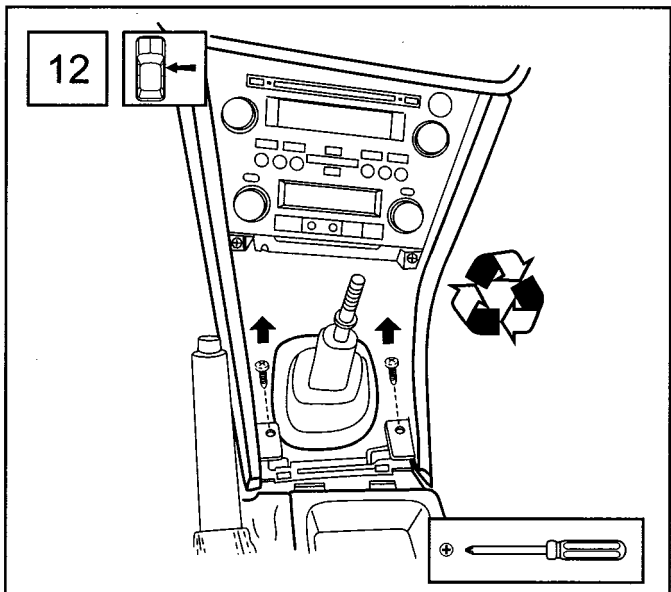
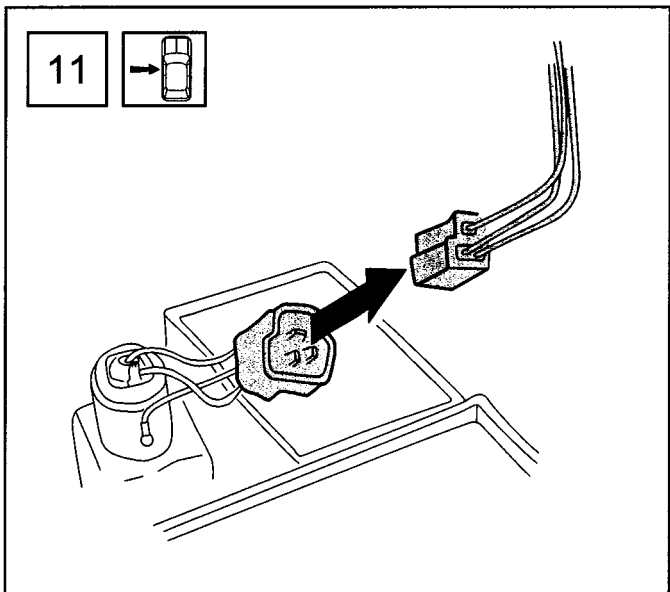
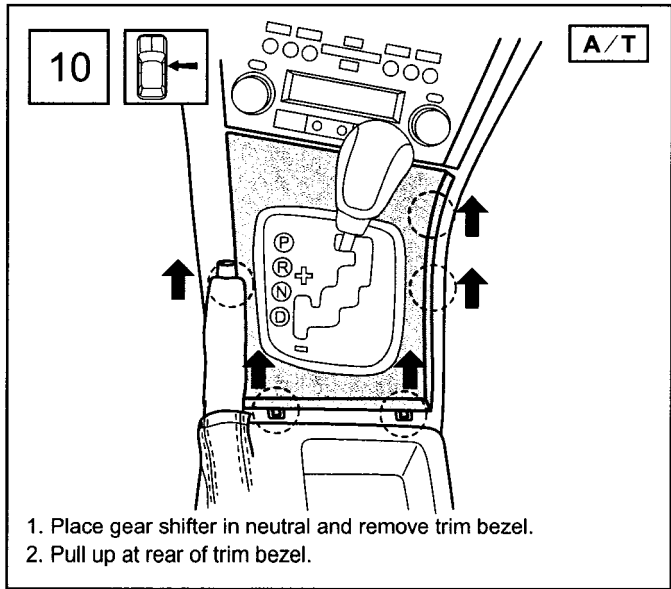
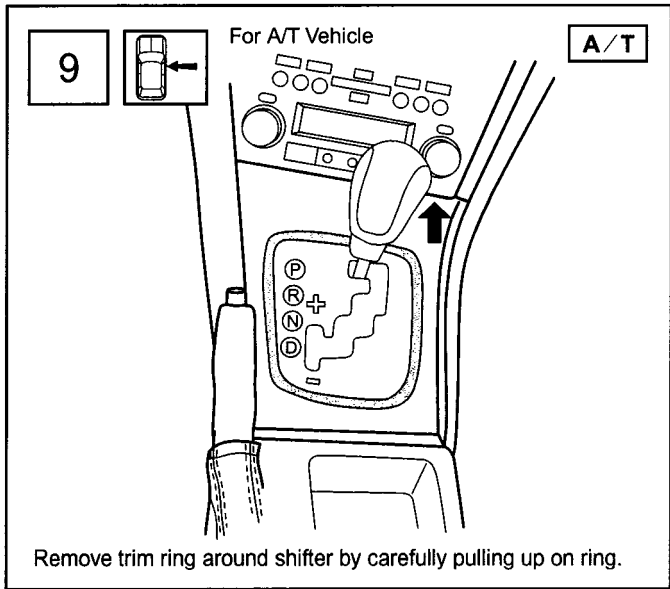
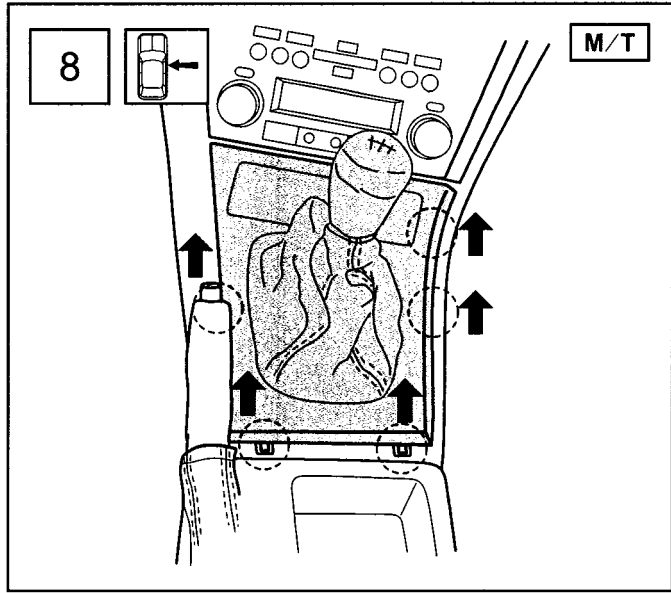
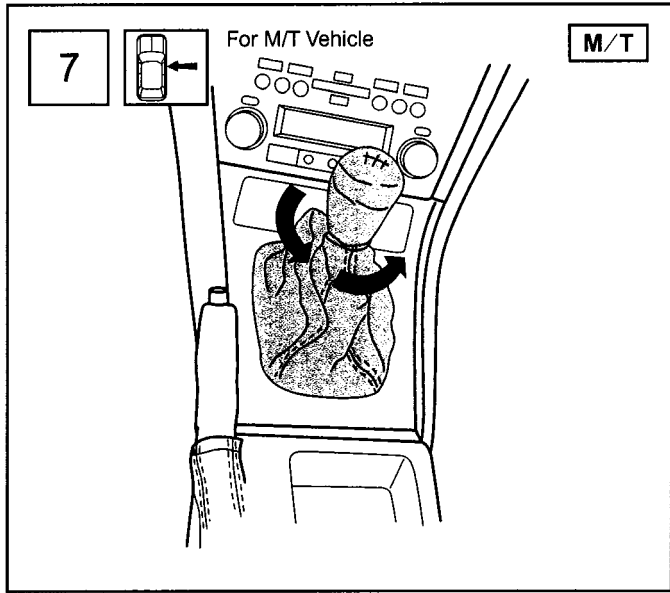


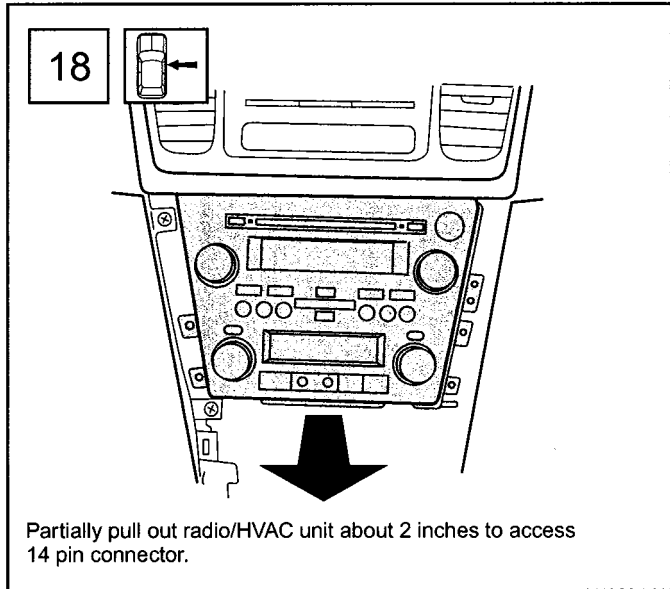
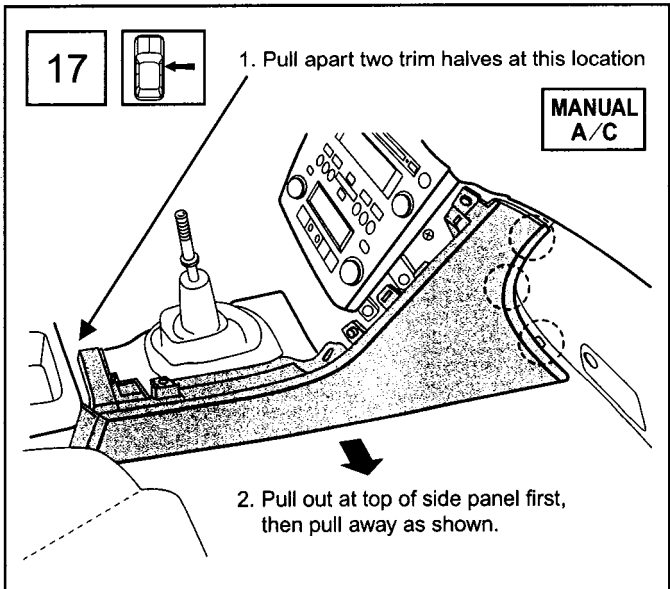
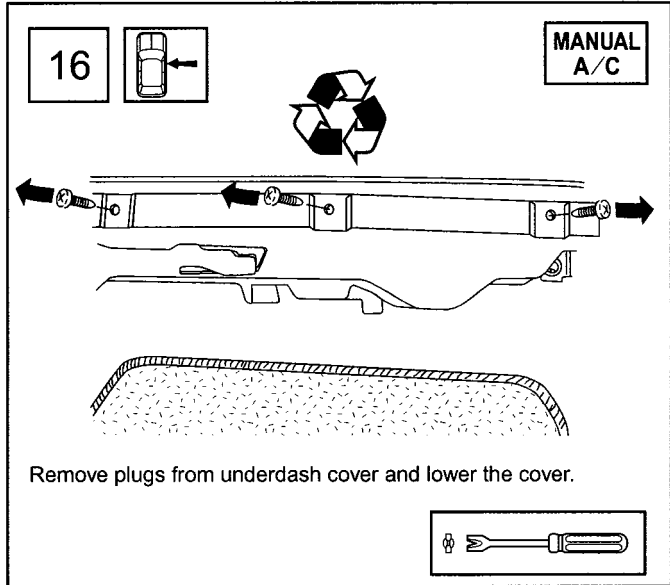
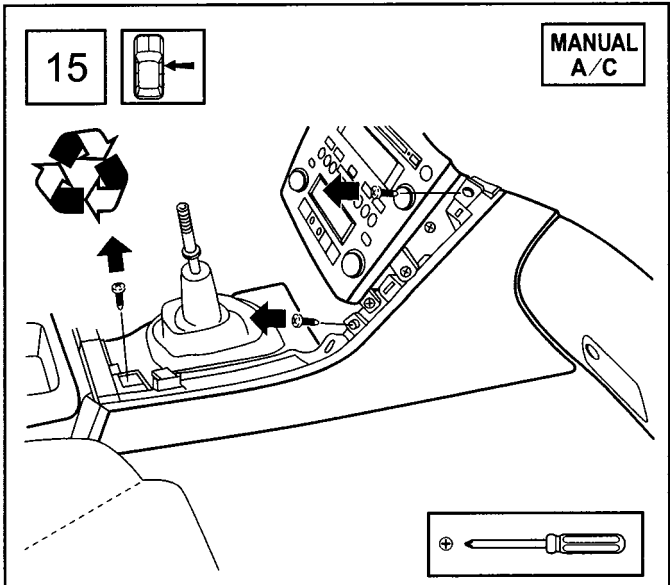
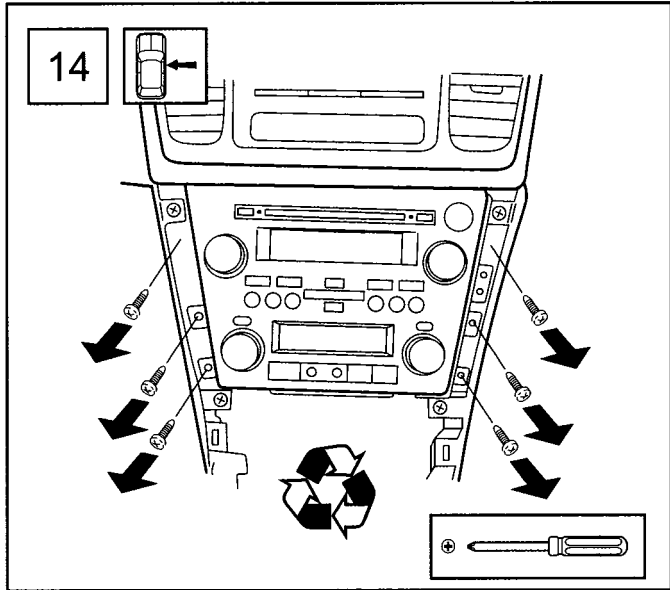
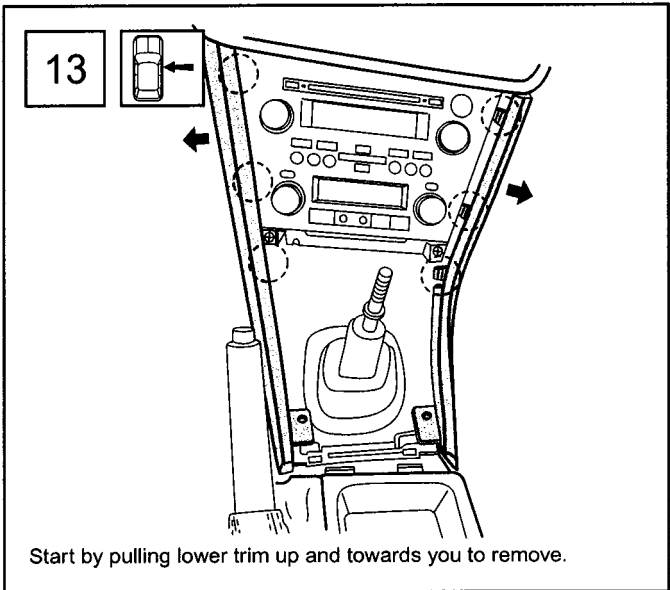
: Discard

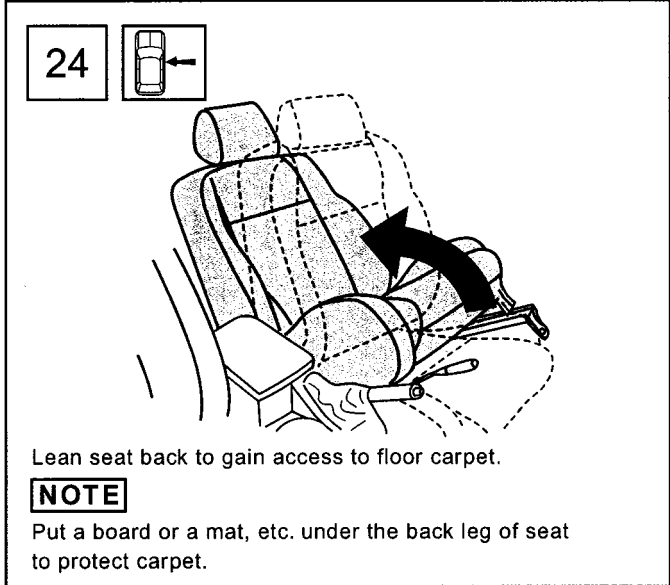
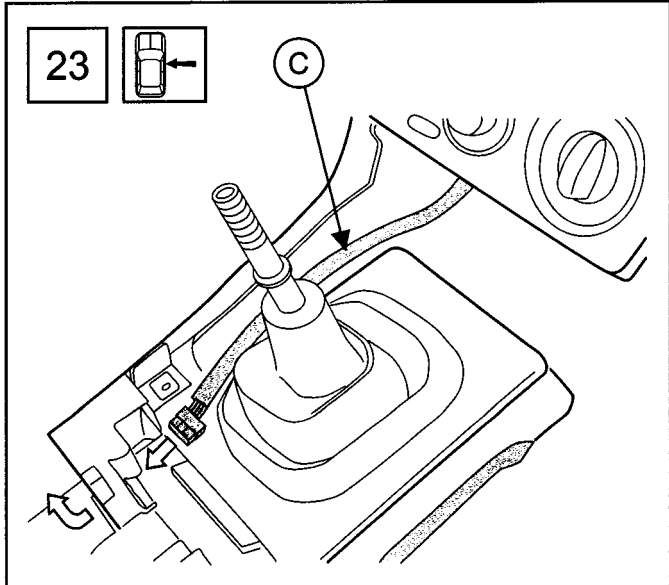
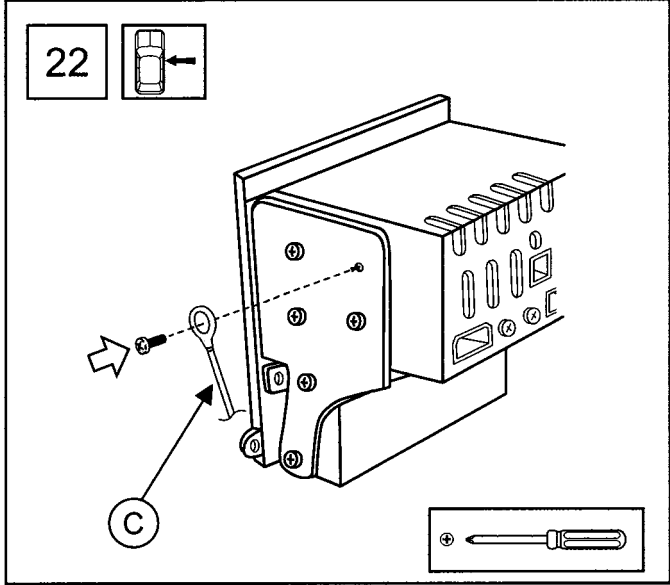
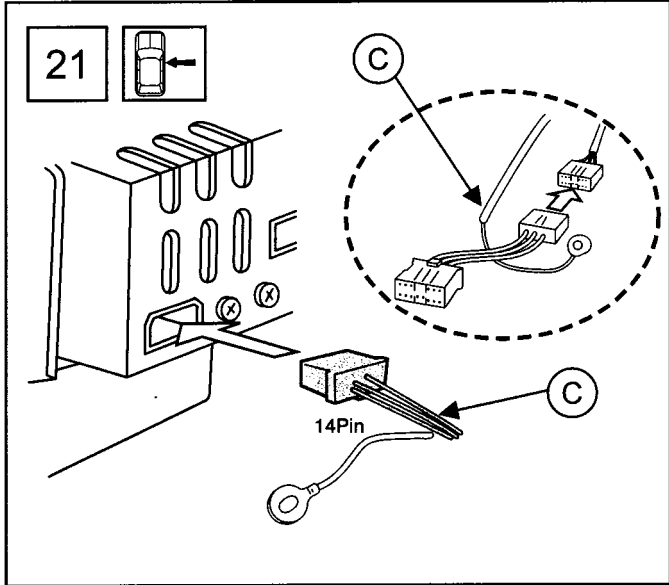
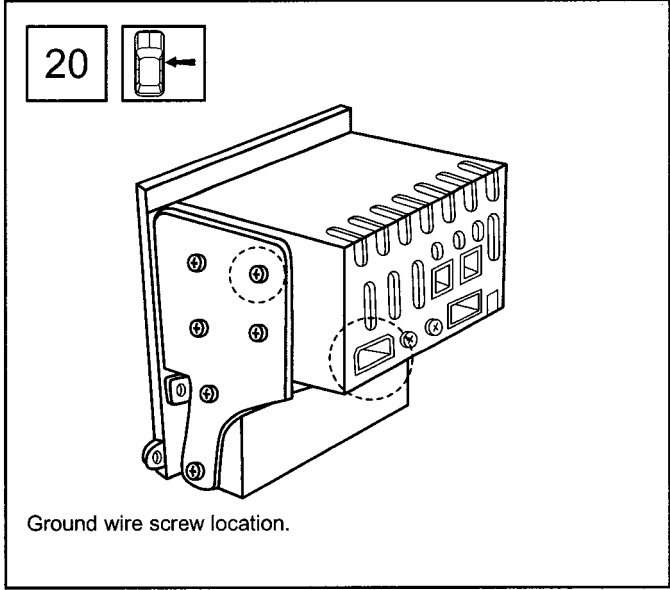
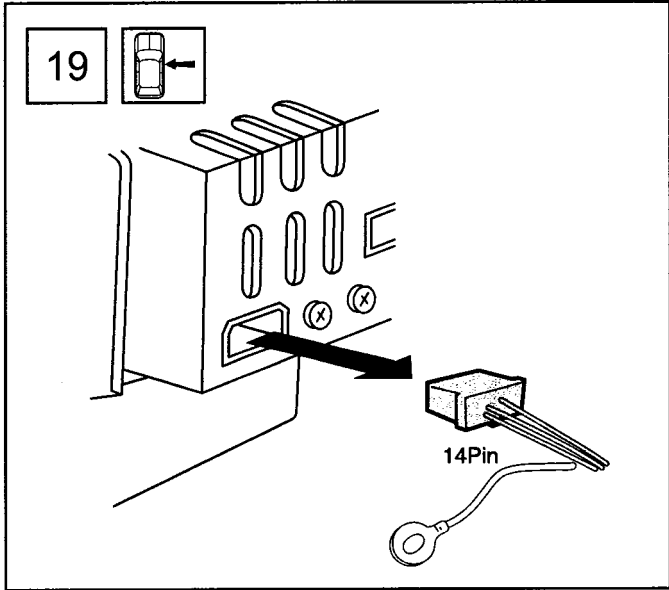


: Reuse

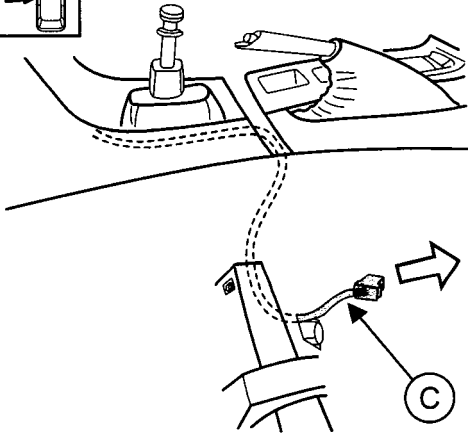






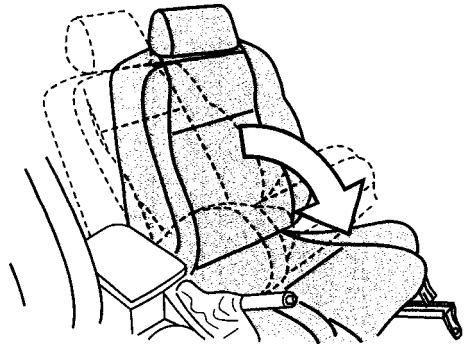


25

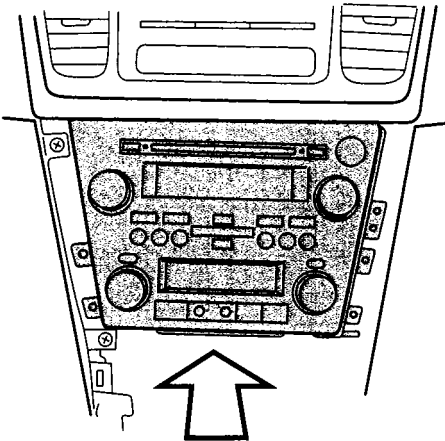


Route subwoofer harness under floor carpet starting at the center console and out the floor vent hole.

26



27

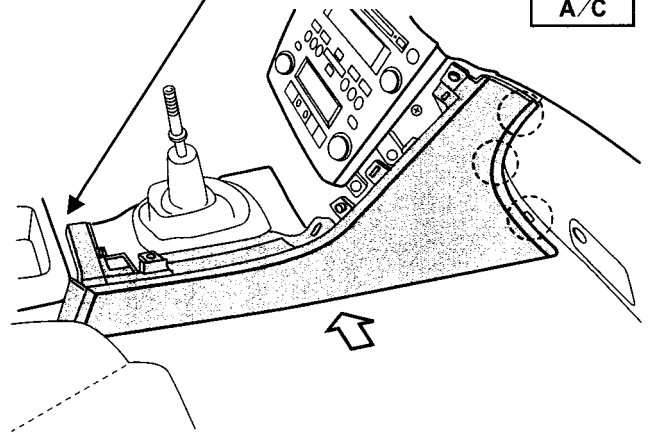


28



Snap trim halves together.

MANUAL
A/C

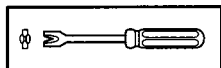
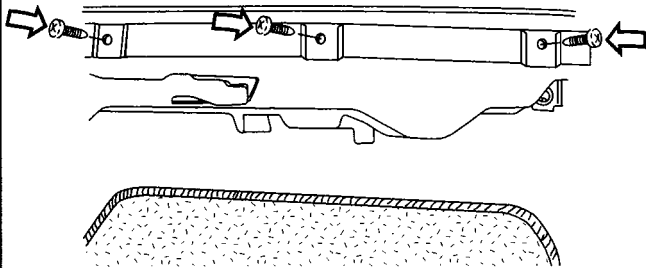


29



MANUAL
A/C

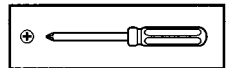
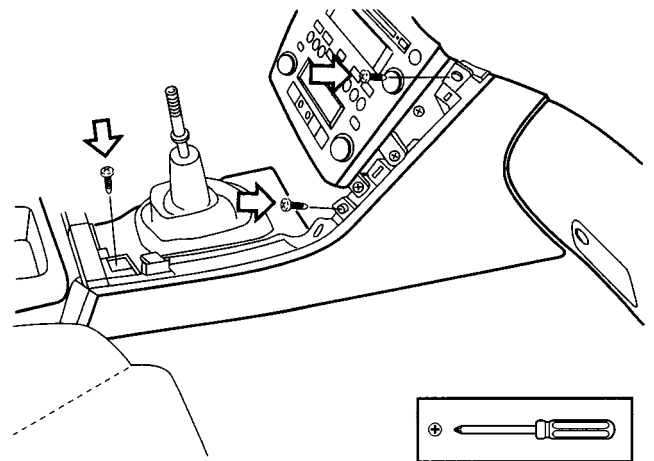
Reinstall lower dash cover.

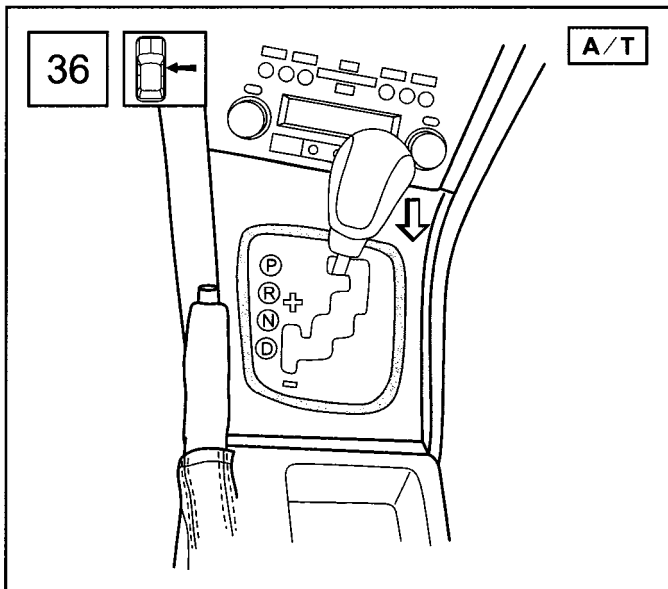
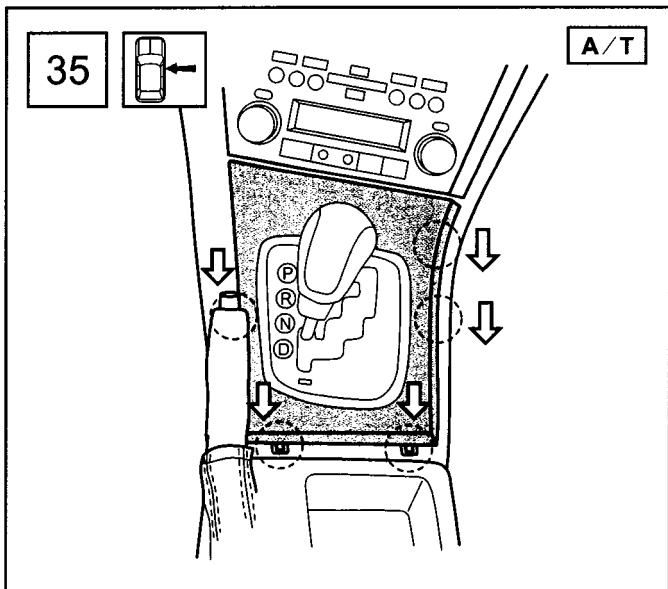
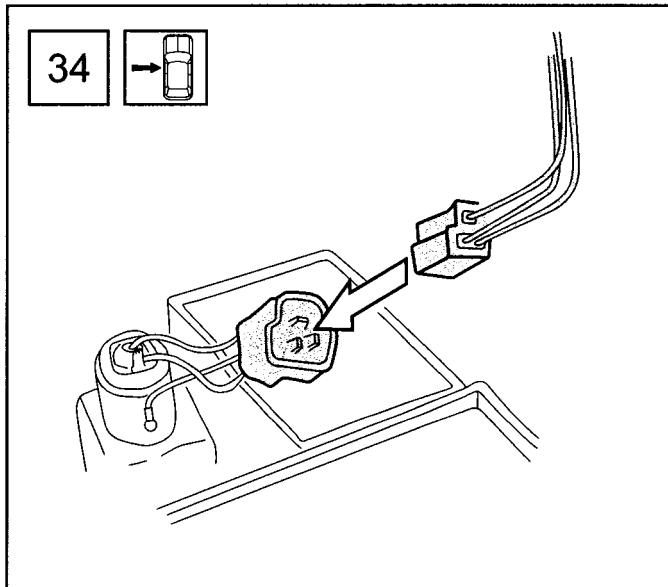
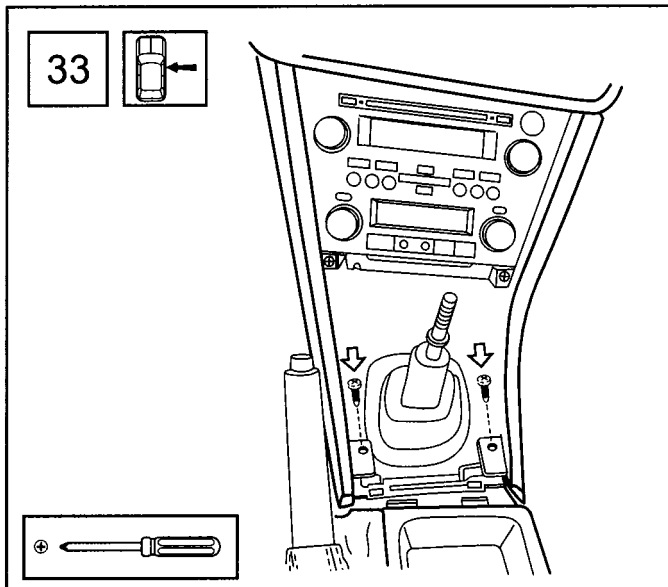
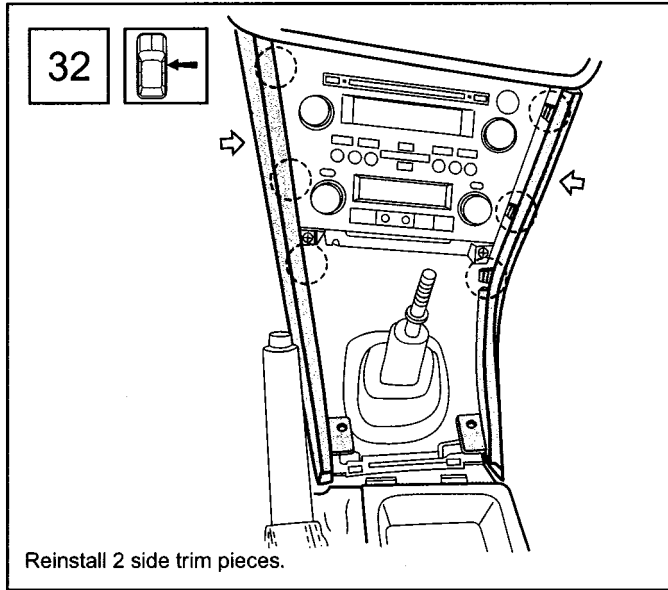
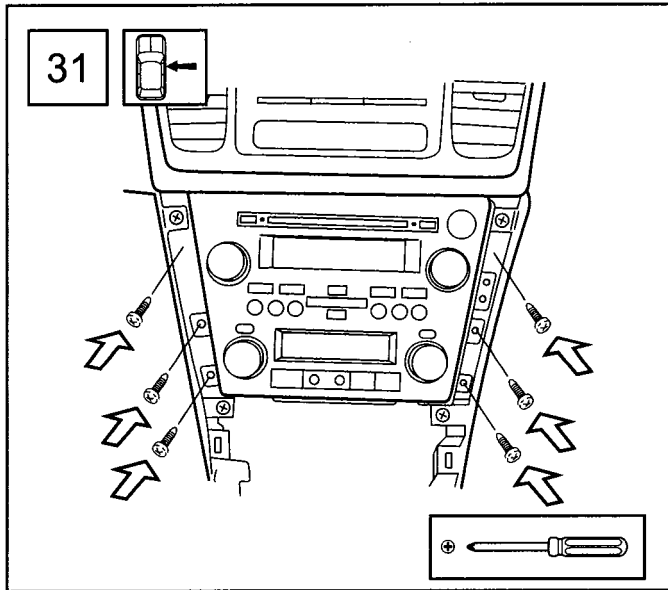


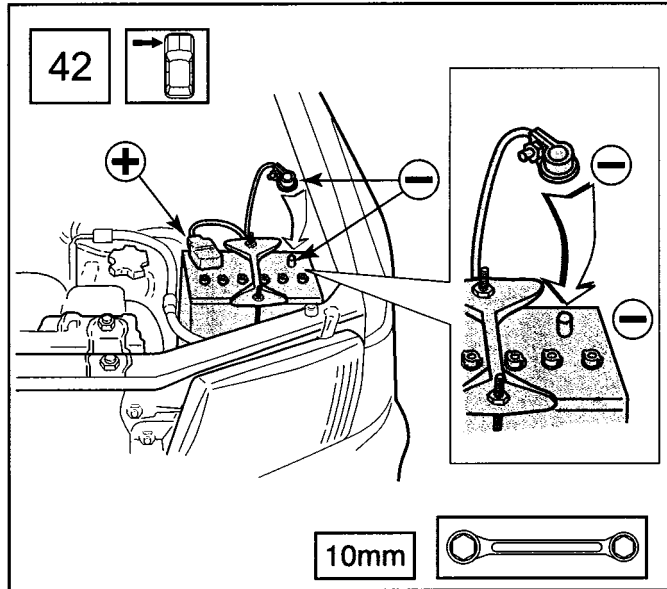
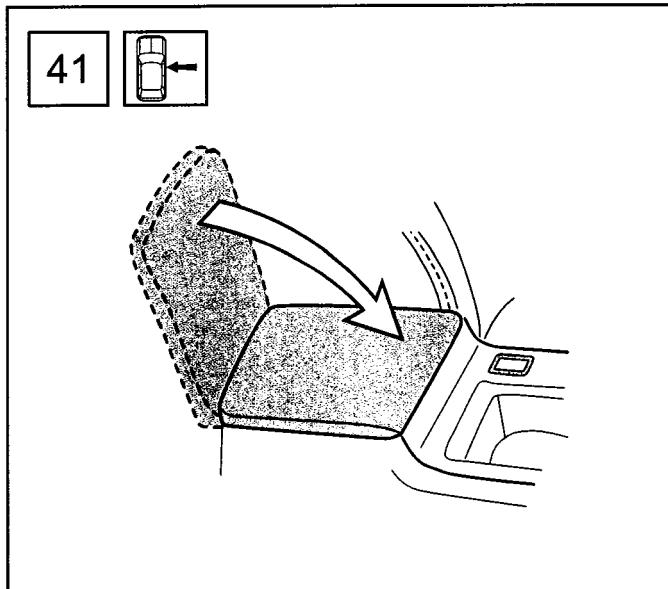
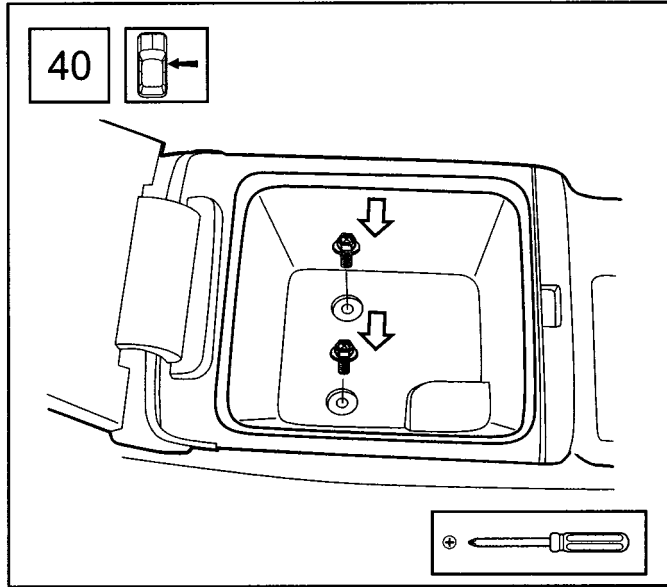
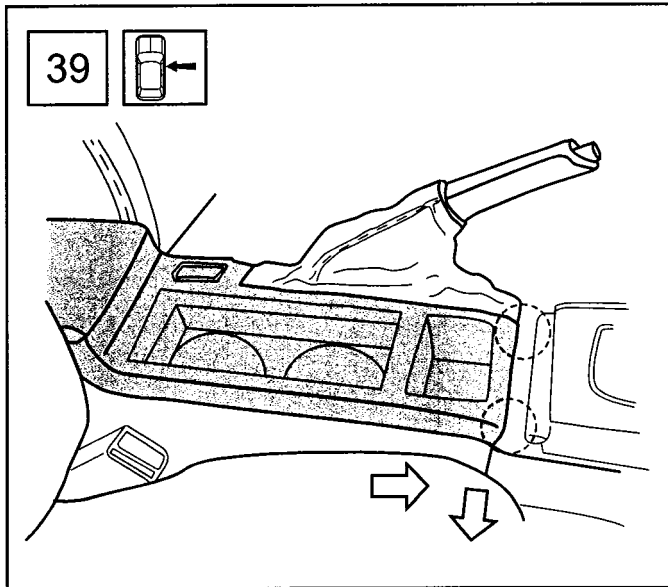
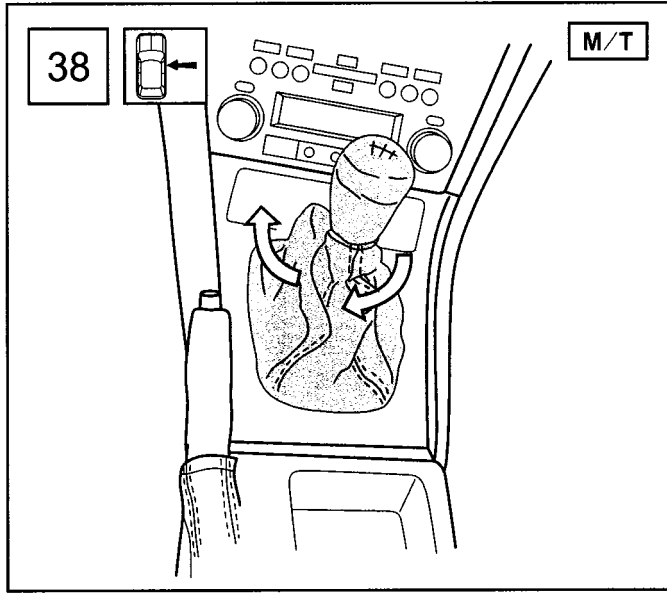
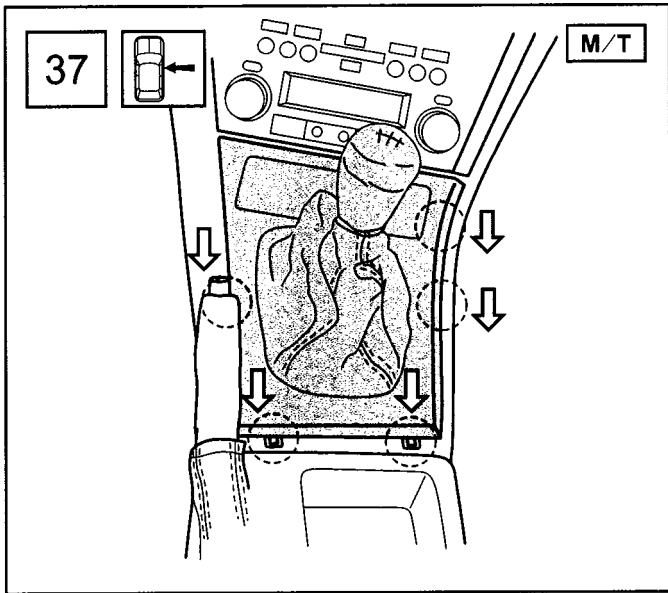
30

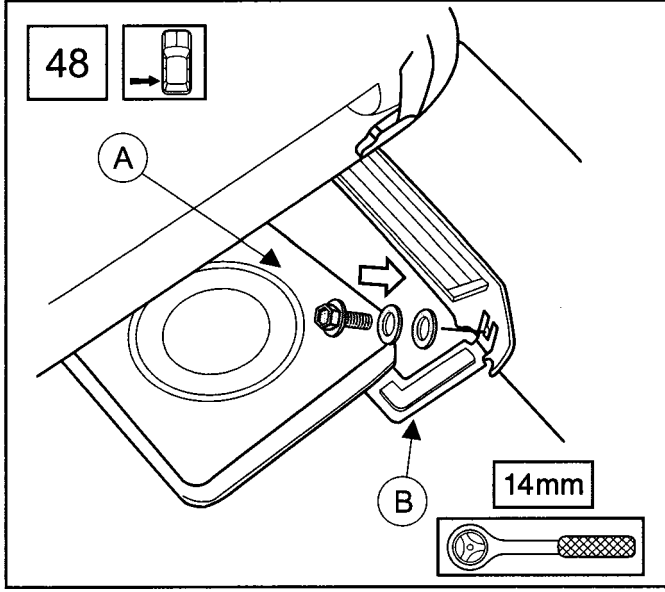
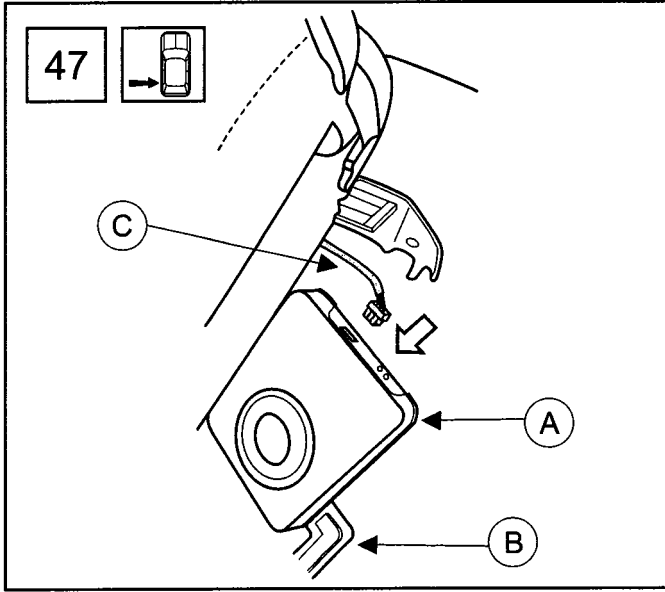
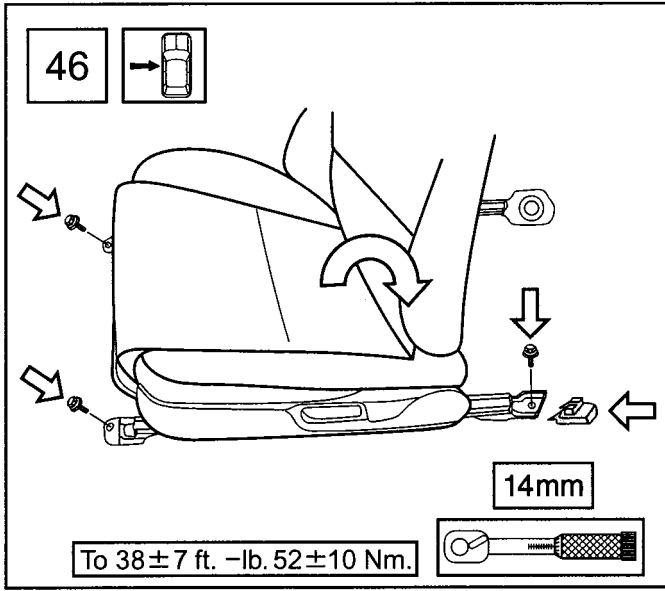
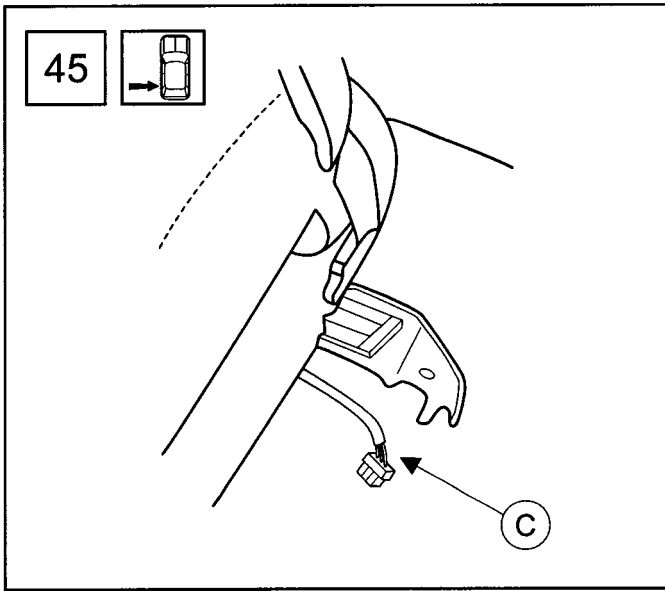
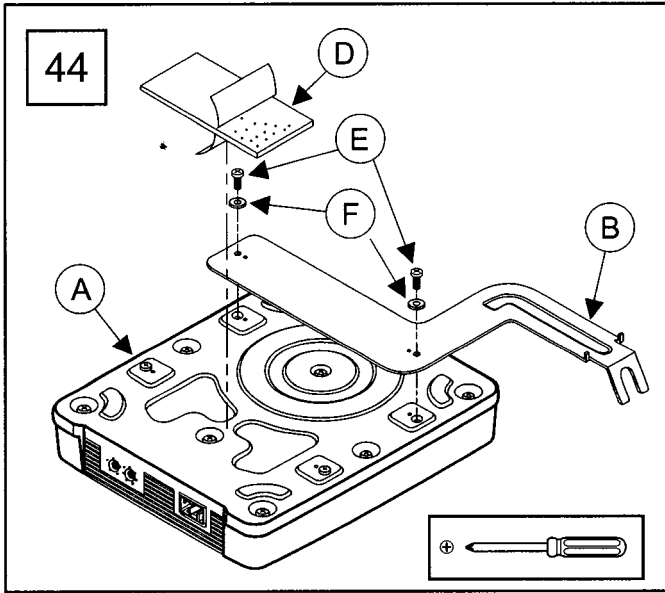
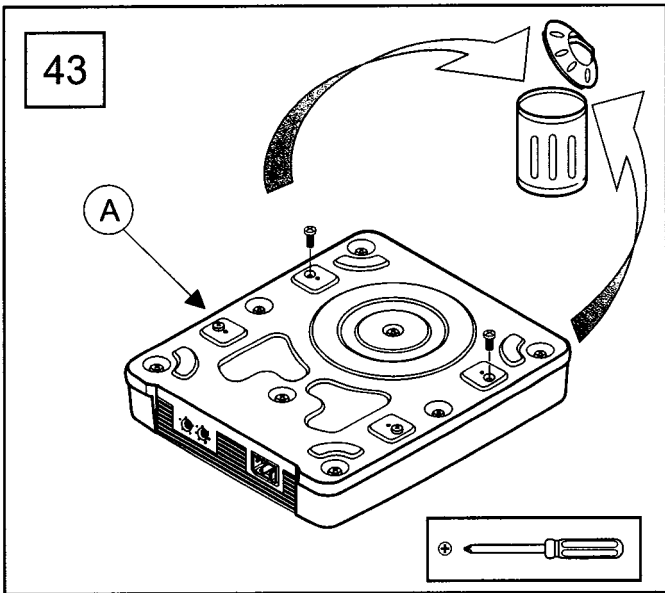


MANUAL
A/C

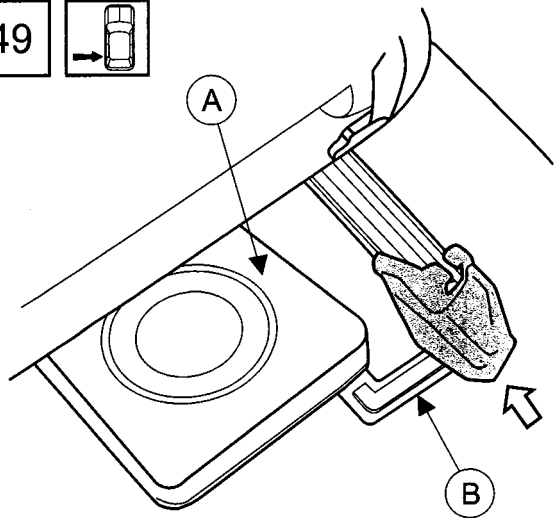




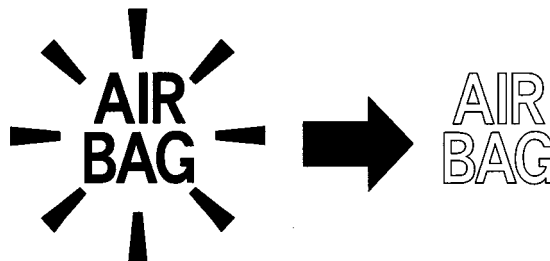




49



50



NOTE

Turn on ignition switch and verify that AIR BAG light goes from on to off.